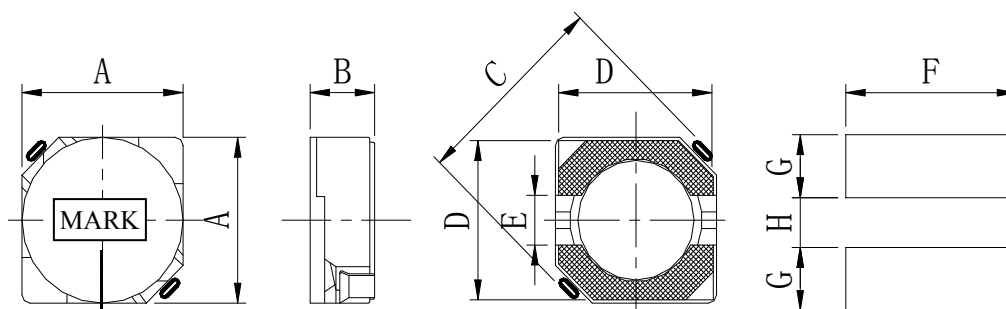


## SMD屏蔽功率电感

机械尺寸Mechanical: (UNIT: mm)



注: 印1号(宽1.74\*高0.9)宋体

TYPE	A(max)	B(max)	C(Max)	D	E	F	G	H
CDH3B16B	4.00	1.80	5.50	4.00	1.00	4.00	1.50	1.00
CDH4B18	5.00	2.00	6.90	4.50	1.50	5.30	1.90	1.50
CDH4B28	5.00	3.00	6.90	4.50	1.50	5.30	1.90	1.50
CDH5B18	6.10	2.00	8.20	5.50	2.00	6.30	2.15	2.00
CDH5B28	6.10	3.00	8.20	5.50	2.00	6.30	2.15	2.00
CDH6B28	7.20	3.10	9.50	6.50	2.00	7.30	2.65	2.00
CDH6B38	7.20	4.00	9.50	6.50	2.00	7.30	2.65	2.00

## 电气特性

PART No.	NOMINAL INDUCTANCE (uH)	DCR (Ω)MAX	IDC (A)MAX
CDH3B16B-1R0N	1.0	45.50m	1.47
CDH3B16B-1R5N	1.5	52.00m	1.45
CDH3B16B-2R2N	2.2	72.00m	1.20
CDH3B16B-2R7N	2.7	75.00m	1.18
CDH3B16B-3R3N	3.3	85.00m	1.10
CDH3B16B-3R9N	3.9	95.00m	1.00
CDH3B16B-4R7N	4.7	105.00m	900m
CDH3B16B-5R6N	5.6	119.60m	822m
CDH3B16B-6R8N	6.8	170.00m	730m

CDH3B16B-8R2N	8.2	190.00m	621m
CDH3B16B-100M	10	210m	550m
CDH3B16B-120M	12	247m	500m
CDH3B16B-150M	15	295m	450m
CDH3B16B-180M	18	416m	410m
CDH3B16B-220M	22	430m	400m
CDH3B16B-270M	27	546m	370m
CDH3B16B-330M	33	675m	320m
CDH3B16B-390M	39	871m	278m
CDH3B16B-470M	47	962m	260m
CDH3B16B-560M	56	1. 09	242m
CDH3B16B-680M	68	1. 25	219m
CDH3B16B-820M	82	1. 50	200m
CDH3B16B-101M	100	1. 68	187m
CDH3B16B-121M	120	2. 15	178m
CDH3B16B-151M	150	2. 60	150m
CDH3B16B-181M	180	2. 86	138m
CDH3B16B-221M	220	4. 55	122m
CDH3B16B-271M	270	5. 07	105m
CDH3B16B-331M	330	5. 89	98m
CDH3B16B-391M	390	6. 50	96m
CDH3B16B-471M	470	7. 15	81m
CDH3B16B-561M	560	9. 75	70m
CDH3B16B-681M	680	12. 74	69m
<b>PART No.</b>	<b>NOMINAL INDUCTANCE ( uH )</b>	<b>DCR ( Ω )MAX</b>	<b>IDC (A)MAX</b>
CDH4B18-1R0N	1.0	28.60m	1. 80
CDH4B18-1R5N	1.5	45.50m	1. 45
CDH4B18-2R2N	2.2	52.00m	1. 40
CDH4B18-2R7N	2.7	58.50m	1. 30
CDH4B18-3R3N	3.3	62.40m	1. 15
CDH4B18-3R9N	3.9	65.00m	900m
CDH4B18-4R7N	4.7	78.00m	860m
CDH4B18-5R6N	5.6	98.80m	820m

CDH4B18-6R8N	6.8	143.00m	780m
CDH4B18-8R2N	8.2	156.00m	700m
CDH4B18-100M	10	158.60m	620m
CDH4B18-150M	15	247m	500m
CDH4B18-220M	22	260m	420m
CDH4B18-330M	33	546m	335m
CDH4B18-390M	39	585m	315m
CDH4B18-470M	47	845m	295m
CDH4B18-560M	56	910m	275m
CDH4B18-680M	68	1.00	245m
CDH4B18-820M	82	1.30	225m
CDH4B18-101M	100	1.56	205m
CDH4B18-121M	120	2.10	185m
CDH4B18-151M	150	2.34	155m
CDH4B18-181M	180	2.60	145m
CDH4B18-221M	220	3.38	140m
CDH4B18-271M	270	4.03	135m
CDH4B18-331M	330	4.56	130m
CDH4B18-391M	390	5.07	125m
CDH4B18-471M	470	5.46	120m
CDH4B18-561M	560	8.19	112m
CDH4B18-681M	680	10.01	108m
<b>PART No.</b>	<b>NOMINAL INDUCTANCE (uH)</b>	<b>DCR (Ω)MAX</b>	<b>IDC (A)MAX</b>
CDH4B28-1R0N	1.0	25.74m	2.70
CDH4B28-1R5N	1.5	27.30m	2.40
CDH4B28-2R2N	2.2	33.80m	1.80
CDH4B28-3R0N	3.0	48.10m	1.55
CDH4B28-3R9N	3.9	48.10m	1.50
CDH4B28-4R7N	4.7	52.00m	1.35
CDH4B28-5R6N	5.6	58.50m	1.21
CDH4B28-6R8N	6.8	88.40m	1.15
CDH4B28-100M	10	119.60m	1.00
CDH4B28-120M	12	140.40m	840m

CDH4B28-150M	15	156.00m	752m
CDH4B28-180M	18	195.00m	730m
CDH4B28-220M	22	247.00m	700m
CDH4B28-270M	27	299.00m	585m
CDH4B28-330M	33	325.00m	570m
CDH4B28-390M	39	351.00m	520m
CDH4B28-430M	43	377.00m	510m
CDH4B28-470M	47	442.00m	500m
CDH4B28-560M	56	468.00m	420m
CDH4B28-680M	68	546.00m	352m
CDH4B28-820M	82	780.00m	330m
CDH4B28-101M	100	858.00m	300m
CDH4B28-121M	120	1. 30	280m
CDH4B28-151M	150	1. 50	250m
CDH4B28-181M	180	1. 60	230m
CDH4B28-221M	220	1. 82	210m
CDH4B28-271M	270	2. 86	185m
CDH4B28-331M	330	3. 25	170m
CDH4B28-391M	390	4. 55	155m
CDH4B28-471M	470	5. 07	140m
CDH4B28-561M	560	5. 46	130m
CDH4B28-681M	680	6. 11	120m
<b>PART No.</b>	<b>NOMINAL INDUCTANCE ( uH )</b>	<b>DCR (<math>\Omega</math>)MAX</b>	<b>IDC (A)MAX</b>
CDH5B18-1R0N	1.0	17.68m	3. 00
CDH5B18-1R5N	1.5	23.40m	2. 30
CDH5B18-2R2N	2.2	36.40m	2. 10
CDH5B18-2R7N	2.7	40.30m	2. 00
CDH5B18-3R3N	3.3	49.40m	1. 83
CDH5B18-4R7N	4.7	65.00m	1. 60
CDH5B18-5R6N	5.6	72.80m	1. 45
CDH5B18-6R8N	6.8	78.00m	1. 31
CDH5B18-8R2N	8.2	96.20m	1. 10
CDH5B18-100M	10	124.00m	1. 04

CDH5B18-120M	12	153.00m	950m
CDH5B18-150M	15	196.00m	850m
CDH5B18-180M	18	210.00m	790m
CDH5B18-220M	22	290.00m	700m
CDH5B18-270M	27	330.00m	655m
CDH5B18-330M	33	385.00m	585m
CDH5B18-390M	39	520.00m	510m
CDH5B18-470M	47	595.00m	480m
CDH5B18-560M	56	665.00m	430m
CDH5B18-680M	68	840.00m	400m
CDH5B18-820M	82	978.00m	360m
CDH5B18-101M	100	1. 20	325m
CDH5B18-121M	120	1. 30	295m
CDH5B18-151M	150	1. 61	270m
CDH5B18-181M	180	2. 05	245m
CDH5B18-221M	220	2. 29	225m
CDH5B18-271M	270	2. 99	200m
CDH5B18-331M	330	3. 51	185m
CDH5B18-391M	390	4. 16	155m
CDH5B18-471M	470	4. 81	150m
CDH5B18-561M	560	5. 20	140m
CDH5B18-681M	680	6. 37	130m
<b>PART No.</b>	<b>NOMINAL INDUCTANCE ( uH )</b>	<b>DCR ( Ω )MAX</b>	<b>IDC (A)MAX</b>
CDH5B28-1R0N	1.0	15.60m	3. 45
CDH5B28-1R8N	1.8	22.10m	2. 70
CDH5B28-2R2N	2.2	24.70m	2. 30
CDH5B28-2R7N	2.7	28.60m	2.26
CDH5B28-3R3N	3.3	32.50m	2. 23
CDH5B28-4R7N	4.7	39.00m	1. 90
CDH5B28-5R6N	5.6	44.20m	1. 76
CDH5B28-6R8N	6.8	52.00m	1. 63
CDH5B28-8R2N	8.2	58.50m	1. 50
CDH5B28-100M	10	78.00m	1. 30

CDH5B28-120M	12	84.50m	1. 20
CDH5B28-150M	15	114.4m	1. 10
CDH5B28-180M	18	119.6m	1. 00
CDH5B28-220M	22	156.00m	890m
CDH5B28-270M	27	188.50m	800m
CDH5B28-330M	33	206.70m	730m
CDH5B28-390M	39	230.75m	690m
CDH5B28-470M	47	260m	610m
CDH5B28-560M	56	338m	560m
CDH5B28-680M	68	364m	505m
CDH5B28-820M	82	416m	460m
CDH5B28-101M	100	572m	415m
CDH5B28-121M	120	676m	390m
CDH5B28-151M	150	790m	300m
CDH5B28-181M	180	996m	290m
CDH5B28-221M	220	1. 30	285m
CDH5B28-271M	270	1. 52	255m
CDH5B28-331M	330	2. 21	230m
CDH5B28-391M	390	2. 40	210m
CDH5B28-471M	470	2. 60	190m
CDH5B28-561M	560	2. 96	175m
CDH5B28-681M	680	3. 77	165m
<b>PART No.</b>	<b>NOMINAL INDUCTANCE ( uH )</b>	<b>DCR ( Ω )MAX</b>	<b>IDC (A)MAX</b>
CDH6B28-1R0N	1.0	18.2m	3. 60
CDH6B28-1R8N	1.8	20.8m	3. 45
CDH6B28-2R2N	2.2	24.7m	3. 15
CDH6B28-2R7N	2.7	27.3m	2. 84
CDH6B28-3R3N	3.3	29.9m	2. 80
CDH6B28-3R9N	3.9	32.5m	2. 60
CDH6B28-4R7N	4.7	40.3m	2. 30
CDH6B28-5R6N	5.6	45.5m	2. 13
CDH6B28-6R8N	6.8	46.8m	1. 88
CDH6B28-8R2N	8.2	55.9m	1. 73

CDH6B28-100M	10	75.4m	1.60
CDH6B28-120M	12	80.6m	1.50
CDH6B28-150M	15	89.7m	1.34
CDH6B28-180M	18	93.6m	1.21
CDH6B28-220M	22	122.2m	1.10
CDH6B28-270M	27	131.3m	1.02
CDH6B28-330M	33	159.9m	918m
CDH6B28-390M	39	195m	835m
CDH6B28-470M	47	234m	745m
CDH6B28-560M	56	273m	685m
CDH6B28-680M	68	364m	607m
CDH6B28-820M	82	403m	570m
CDH6B28-101M	100	507m	520m
CDH6B28-121M	120	676m	450m
CDH6B28-151M	150	806m	410m
CDH6B28-181M	180	949m	380m
CDH6B28-221M	220	1.11	350m
CDH6B28-271M	270	1.56	310m
CDH6B28-331M	330	1.70	285m
CDH6B28-391M	390	1.95	253m
CDH6B28-471M	470	2.73	230m
CDH6B28-561M	560	2.99	220m
CDH6B28-681M	680	3.51	193m
<b>PART No.</b>	<b>NOMINAL INDUCTANCE (uH)</b>	<b>DCR (Ω)MAX</b>	<b>IDC (A)MAX</b>
CDH6B38-1R0N	1.0	19.5m	5.00
CDH6B38-1R8N	1.8	23.4m	3.90
CDH6B38-2R7N	2.7	28.6m	3.40
CDH6B38-3R3N	3.3	33.8m	2.95
CDH6B38-3R9N	3.9	36.4m	2.90
CDH6B38-4R7N	4.7	37.7m	2.88
CDH6B38-5R6N	5.6	41.6m	2.61
CDH6B38-6R8N	6.8	49.4m	2.39
CDH6B38-8R2N	8.2	54.6m	2.07

CDH6B38-100M	10	63.7m	2.00
CDH6B38-120M	12	78.0m	1.94
CDH6B38-150M	15	87.1m	1.60
CDH6B38-180M	18	106.6m	1.44
CDH6B38-220M	22	113.1m	1.30
CDH6B38-270M	27	130.0m	1.20
CDH6B38-330M	33	143.0m	1.07
CDH6B38-390M	39	163.8m	1.00
CDH6B38-470M	47	182m	950m
CDH6B38-560M	56	221m	850m
CDH6B38-680M	68	247m	750m
CDH6B38-750M	75	286m	720m
CDH6B38-820M	82	324m	700m
CDH6B38-101M	100	380m	630m
CDH6B38-121M	120	442m	605m
CDH6B38-151M	150	572m	513m
CDH6B38-181M	180	637m	486m
CDH6B38-221M	220	936m	427m
CDH6B38-271M	270	1.00	387m
CDH6B38-331M	330	1.20	350m
CDH6B38-391M	390	1.30	318m
CDH6B38-471M	470	1.95	294m
CDH6B38-561M	560	2.34	260m
CDH6B38-681M	680	2.47	230m
CDH6B38-821M	820	3.50	170m

※ 测试条件：L≤8.2uH 测试频率100KHz / 0.25V, (N±30%);

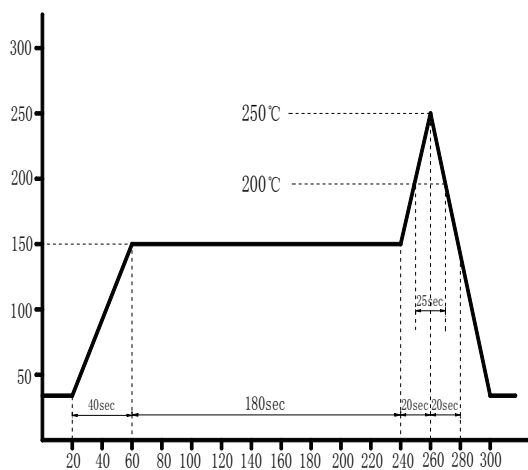
L>8.2uH 测试频率1KHz / 0.25V, (M±20%);

※ 测试仪表：HP4291B、502BC、CH1062。

## 电气参数

项目	性能	试验方法
直流叠加特性	加额定电流时电感值的变化为初始值的35%以内	用LCR及相应的偏置电源测定
温度变化	40℃以内	加额定电流，用表面温度计测其温度
过载试验	产品主体不发生表面碎裂、烧焦、终端无松动，无开路等现象	施2倍的额定电流持续5分钟。
绝缘电阻	100MΩ 以上	在磁心与绕组间施加100V直流电压持续5分钟后
使用温度	包括产品自身发热温度	-40℃~100℃
存储温度特性	产品外观无异常特性规格范围内	-40℃~100℃
耐湿特性	产品外观无异常特性规格范围内	1. 温度：40 ± 2℃； 2. 湿度：90%~95%； 3. 时间：96 ± 2小时。

## 推荐焊接温度曲线图



**LEAD-FREE**

