

SPECIFICATION FOR APPROVAL

承 认 书

CUSTOMER

客户名称:

NUMBER

编 号: Y-21070208

DESCRIPTION

品 名: 贴片共模电感

QUANTITY

数 量: 10pcs

PART NO.

型 号: BCDM126-2-682T

DATE

日 期: 2021/7/2

CUSTOMER PART NO.

客户料号:

NOTE

注 解:

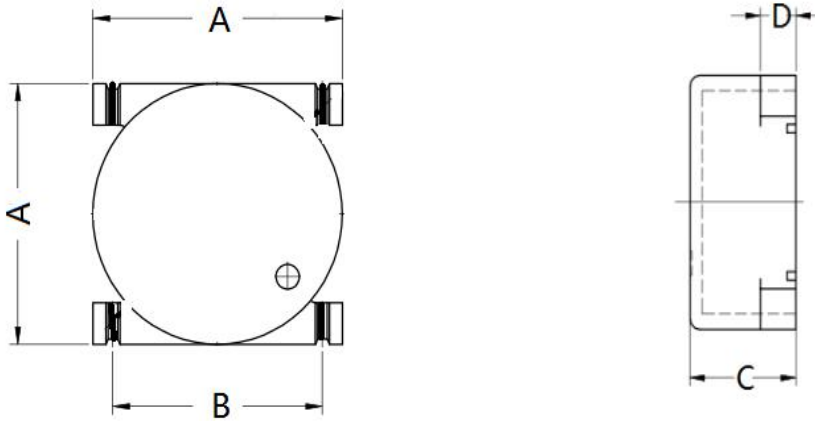
APPROVAL SIGNATURE 客户承认签章

APPROVED BY 核 准	Q. C. DEPT. 品 管	CHECKED BY 核 查	DRAWN BY 制 作

客户 CUSTOMER		规格型号 PART NO	BCDM126-2-682T
----------------	--	-----------------	----------------

1: 外形尺寸: (单位: mm)

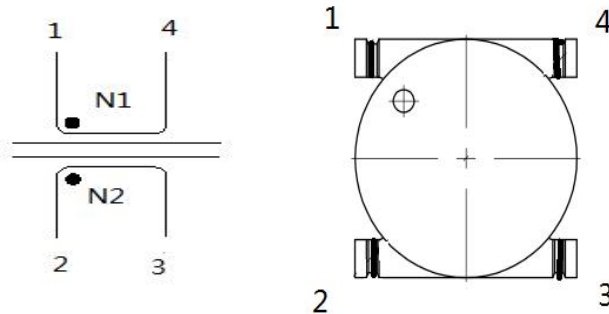
OVERALL DIMENSION (UNIT: mm)



尺寸	A	B	C	D
单位mm	13.0MAX	10.5±0.5	6.5MAX	2±0.5

2: 接线图: 两组线分绕

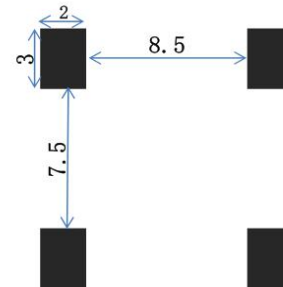
WIRING DIAGRAM: SEPARATE WINDING



No polarity

3: 焊接尺寸: mm

WELDING DIMENSION: mm



4: 电气性能参数(ELECTRICAL PARAMETERS)

电感量及允许偏差 (1KHz/ 0.25V)	L12=L34: 6.8mH(MIN)
直流电阻 DC RESISTANCE	300mΩ (MAX)
额定电流 RATED CURRENT	0.5A MAX
阻抗 (1.5MHz) IMPEDANCE	6500Ω MIN

测试仪表 (MEASUREMENT INSTRUMENT):

HM2791 HM2801 HP4285
CH19073

在最坏情况下建议零件的温度不超过+125° C。(It is recommended that the temperature of the part does not exceed +125° C under worst case conditions.)

贮存环境(Storage conditions):存放环境温度-20° C至60° C,相对湿度不高于70%,并存放在不含硫和氯的空气气氛中(请不要直接暴露在阳光下) Storage ambient temperature-20° C to 60° C, 70%RH or less, and isolate the parts from sulphic and chloric atmosphere. (Please don't expose to the sun directly)

Note:	SPEC. NO. : Y-21070205 1/2
-------	----------------------------------

客户 CUSTOMER		规格型号 PART NO	BCDM126-2-682T
----------------	--	-----------------	----------------

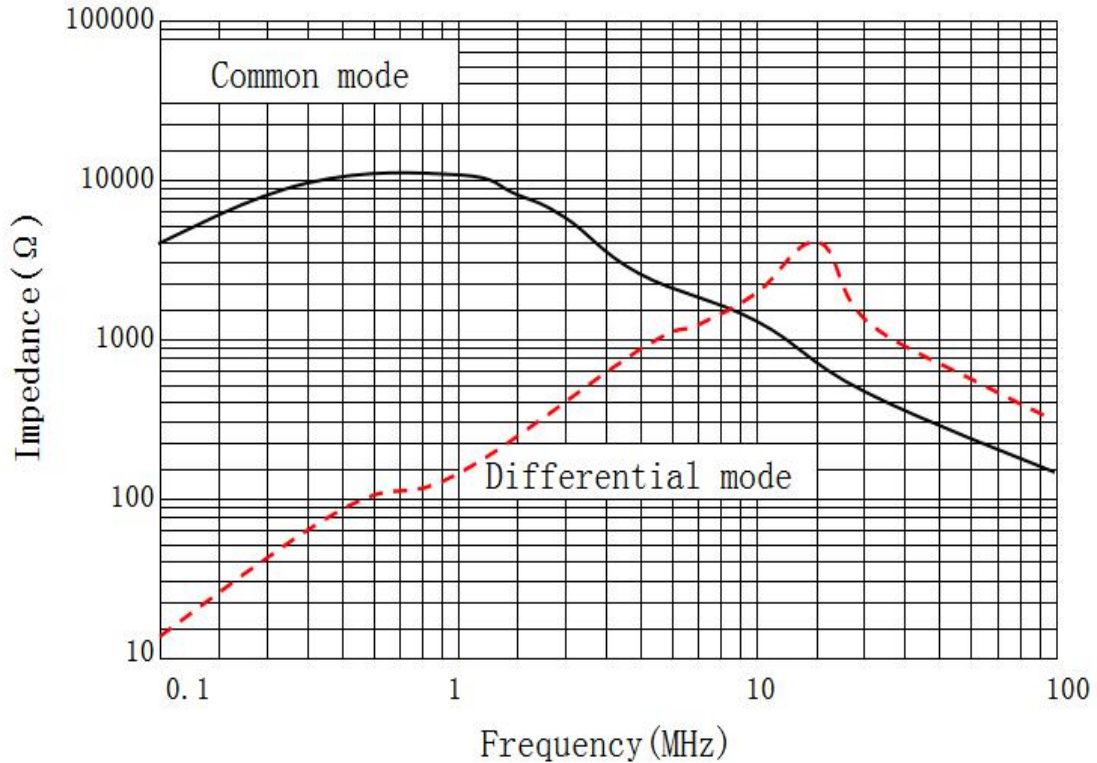
零件工作温度(Operating temperature of parts): $-40^{\circ}\text{C} - 125^{\circ}\text{C}$

温升(Temperature Rise): $< 55\text{K}$

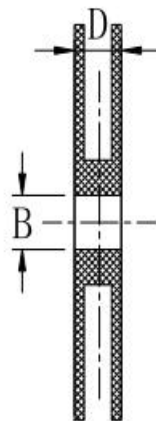
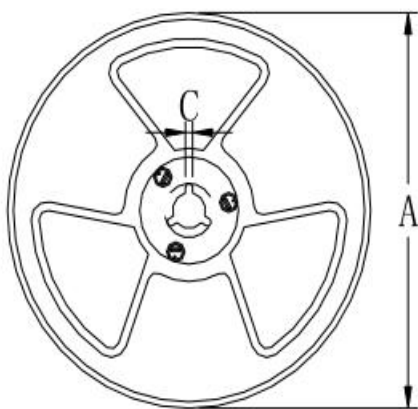
电性能试验条件(Est conditions of Electrical Properties): 20°C 、相对湿度33%
(20°C , 33% RH)

没有特殊规定下(If not specified differently)

5: 阻抗曲线图(IMPEDANCE CURVE)



6: 包装(PACKING)



规格	13"	7"
尺寸		
A	$\Phi 330 \pm 2.0$	$\Phi 178 \pm 2.0$
B	$\Phi 90 \pm 2.0$	
C	2.3	
D	30.5	

Note:	SPEC. NO. : Y-21070208 2/2
-------	----------------------------------