

SPECIFICATION FOR APPROVAL

承 认 书

CUSTOMER

客户名称:

NUMBER

编 号: Y-18013101

DESCRIPTION

品 名: 贴片共模电感

QUANTITY

数 量: 10pcs

PART NO.

型 号: BCDM116-2-181T

DATE

日 期: 2018-6-21

CUSTOMER PART NO.

客户料号:

NOTE

注 解:

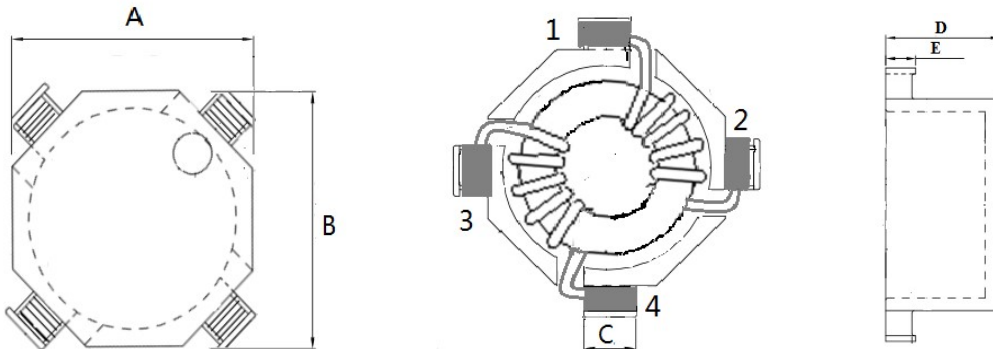
APPROVAL SIGNATURE
客户承认签章

APPROVED BY 核 准	Q. C. DEPT. 品 管	CHECKED BY 核 查	DRAWN BY 制 作

客户 CUSTOMER		规格型号 PART NO	BCDM116-2-181T
----------------	--	-----------------	----------------

1: 外形尺寸: (单位: mm)

OVERALLDIMESSON (UNIT:mm)



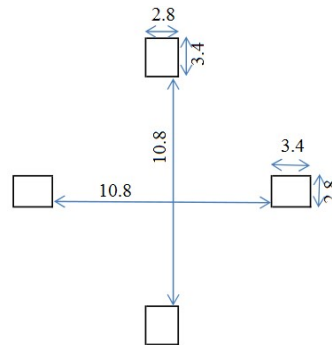
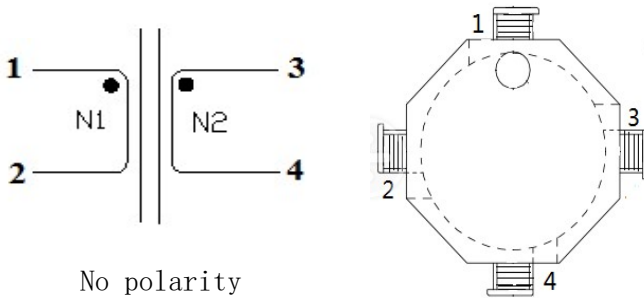
尺寸	A	B	C	D	E
单位mm	11.7±0.3	11.7±0.3	2.3typ	6.5MAX	1.6±0.3

2: 接线图: 两组线分绕

WIRING DIAGRAM: SEPARATE WINDING

3: 焊接尺寸: mm

WELDING DIMENSION: mm



4: 电气性能参数(ELECTRICAL PARAMETERS)

ELECTRICAL CHARACTERISTICS

电感量及允许偏差 (1KHz/ 0.25V)	L12=L34: 180UH(MIN)
直流电阻 DC RESISTANCE	27mΩ (MAX)
额定电流 RATED CURRENT	2.2A MAX
阻抗(10MHz) IMPEDANCE	3000Ω MIN

测试仪表 (MEASUREMENT INSTRUMENT):

HM2791 HM2801 HP4285
CH19073

在最坏情况下建议零件的温度不超过+125° C。(It is recommended that the temperature of the part does not exceed +125° C under worst case conditions.)

贮存环境(Storage conditions): 存放环境温度-20° C至60° C, 相对湿度不高于70%, 并存放在不含硫和氯的空气气氛中 (请不要直接暴露在阳光下) Storage ambient temperature-20° C to 60° C, 70%RH or less, and isolate the parts from sulphic and chloric atm osphere. (Please don't expose to the sun directly)

Note:	SPEC. NO. : Y-18013101 1/2
-------	----------------------------------

客户 CUSTOMER		规格型号 PART NO	BCDM116-2-181T
----------------	--	-----------------	----------------

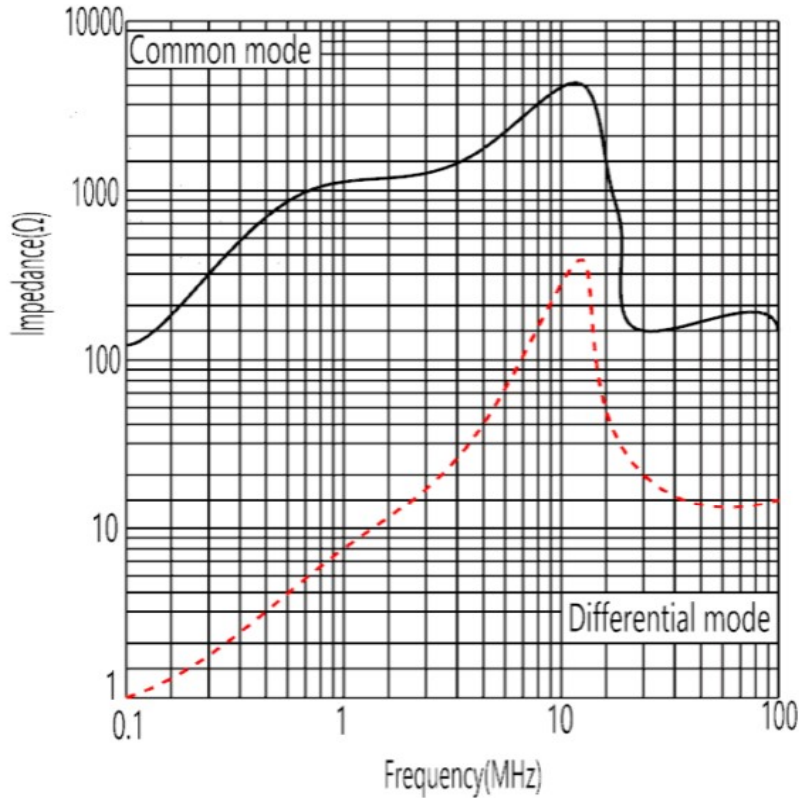
零件工作温度(Operating temperature of parts): -40° C - 125° C

温升(Temperature Rise) : < 55K

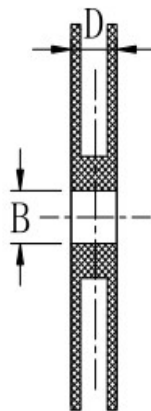
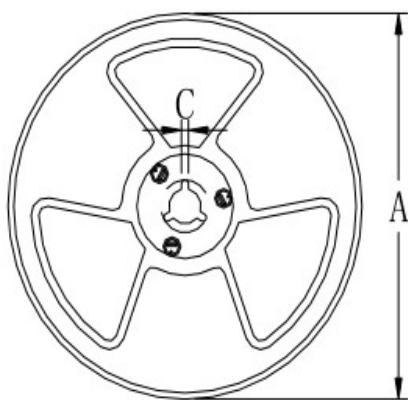
电性能试验条件(Est conditions of Electrical Properties) : 20° C、相对湿度33% (20° C, 33% RH)

没有特殊规定下 (If not specified differently)

5: 阻抗曲线图(IMPEDANCE CURVE)



6: 包装(PACKING)



规格 尺寸	13"	7"
A	Φ 330±2.0	Φ 178±2.0
B	Φ90 ± 2.0	
C	2.3	
D	30.5	

Notes	SPEC. NO. : V-18013101
-------	---------------------------